

גלאי סורג אקטיבי למרחק 10מ', 25מ'

Active IR barrier for the protection of the external boundaries of doors and windows.

Thanks to its small dimensions, it can be placed between the window and the shutters. Easy to install, it guarantees a total protection against intrusion, even when the windows are open.

The SRAY is produced in 8 different models, standard and power versions, which differ in length and number of beams, as following picture:

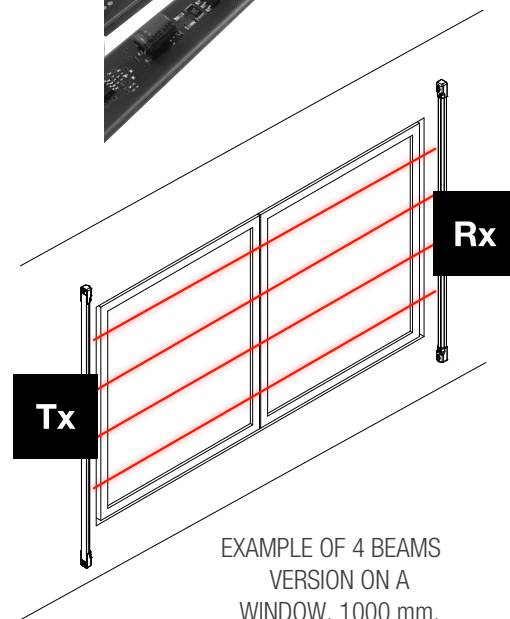
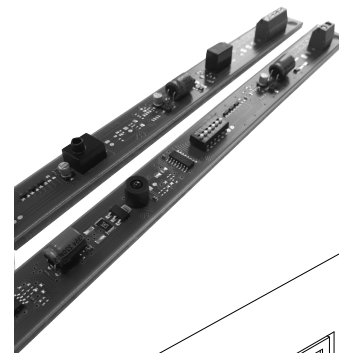
- Advanced system with beam coding, system avoids any interference between the beams and between multiple pairs of barriers.
- Possibility to adjust the range
- Possible to set "and" mode, so that the alarm is triggered only by the simultaneous interruption of 2 beams
- Temporisation (delay in activating the alarm).
- Possibility to install tamper (optional anti-removal device).



DIP SWITCH FUNCTIONS

TRANSMITTER (tx)			RECEIVER (rx)	
DIP	Function		DIP	Function
1	Beams coding	1 <input type="checkbox"/>	1	Beams coding
2		2 <input type="checkbox"/>	2	
3		3 <input type="checkbox"/>	3	
4	Select of the beams power level (higer level = more power)	4 <input type="checkbox"/>	4	Alignment / synchro LED
5		5 <input type="checkbox"/>	5	Timing
6		6 <input type="checkbox"/>	6	AND

- With the DIP **1, 2, 3** of **transmitter** and **receiver** it is possible to coding the beams, this is to avoid interferences and disturbances with other close pair of barriers. Necessary to select the same DIP position between tx and rx of the same pair.
- With DIP **4, 5, 6** of the **transmitter** it is possible to select the beams power level. Available 7 different levels, more high is the number, higer is the power of the beams (1,...7).
- With DIP **4** of the **receiver**, it is possible configure the behaviour of the LED on the receiver, it can signals alignment and synchronization.
- With DIP **5** of the **receiver** it is possible to select in which way and with which timing set off the alarm (4 different modes)
- With DIP **6** of the **receiver** it is possible if set off the alarm with the interruption of just one beam (DIP 6 = OFF) or with at least 2 beams at the same time (DIP 6 = ON, AND function enabled)



VERSIONS AND TECHNICAL FEATURES								
	201020 0.5	201019 0.5 POWER	201022 1.0	201021 1.0 POWER	201023 1.5	201025 1.5 POWER	201024 2.0	201026 2.0 POWER
Power voltage	12Vac +/- 30% (8.5...15.5Vac), 12Vdc +/-25% (9...15Vdc)							
MAX consumption 8 beams	12Vac: TX 210mA RX 80mA / 12Vdc TX 120mA RX40mA							
MAX working distance	10 m	25 m	10 m	25 m	10 m	25 m	10 m	25 m
Number of beams	2	2	4	4	6	6	8	8
Lenght	500 mm	500 mm	1000 mm	1000 mm	1500 mm	1500 mm	2500 mm	2500 mm
Operating temperature	-20 °C to +80°C with relative humidity between 0 and 90 %							
Protection degree	IP54							
Alarm contact	Relay							
Contact resistance	1 Ohm (MAX)							
Dimensions	63 x 2,2 x 2 cm	63 x 2,2 x 2 cm	108 x 2,2 x 2 cm	108 x 2,2 x 2 cm	153 x 2,2 x 2 cm	153 x 2,2 x 2 cm	198 x 2,2 x 2 cm	198 x 2,2 x 2 cm